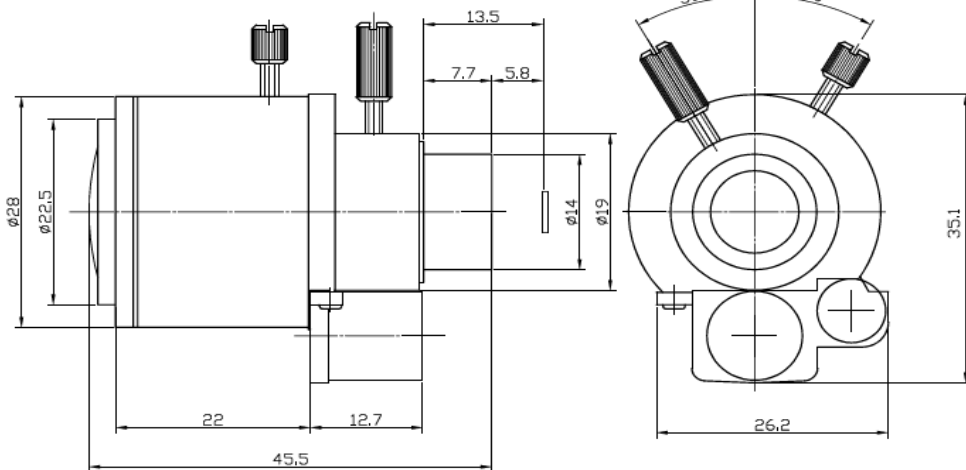


Kawaden CCTV LENS

BKVM2811DIRF

**1/2.7" 2.8-11.0mm 2.0 Megapixel Board Lens
with Day/Night performance**

2.8-11.0mm F1.4
1/2.7" ϕ 14mm Board Mount
2.0 Megapixel DC Iris
IR corrected with IR Cut Filter



Specifications

Model No.	BKVM2811DIRF		Back Focal Length	6.39mm	
Focal Length	2.8-11mm		M.O.D.	0.2 M	
Max. Aperture Ratio	1:1.4 - 360		Dimensions	Φ 28.0(W) x 45.5(H) x 35.1(L)mm	
Image Format	1/2.7"		Weight	36g	
Mount	Board mount ϕ 14mm Straight		Operating Temperature	-10°C - +50°C	
Operation	Iris	DC Auto (F1.4-360)	Angle of View (1/2.7")	D	100° - 34.0°
	Focus	Manual		H	87.1° - 27.2°
	Zoom	Manual		V	71.3° - 21.1°

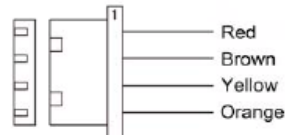
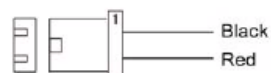
Wiring Diagram

DC Iris Molex 4 pin connector 51021-0400

1	Red	Control (+) 560 Ω
2	Brown	Control (-)
3	Yellow	Drive (+) 200 Ω
4	Orange	Drive (-)

IR cut filter Molex 2 pin connector 51021-0200

1	Black	IR filter IN (-) 50 Ω
2	Red	



Specifications are subject to change without notice

Kawaden Co., Ltd.